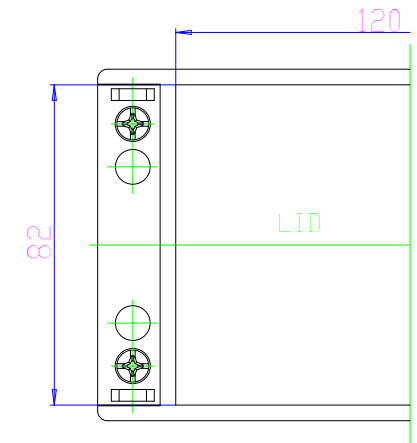
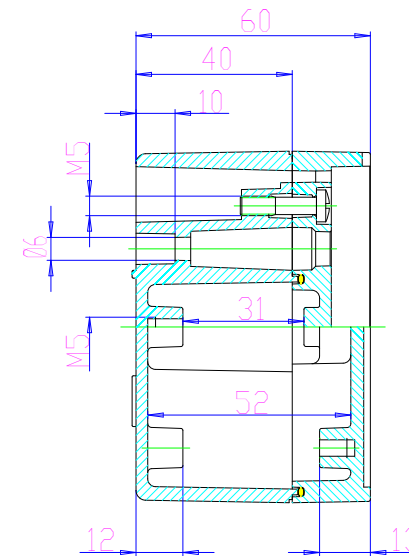
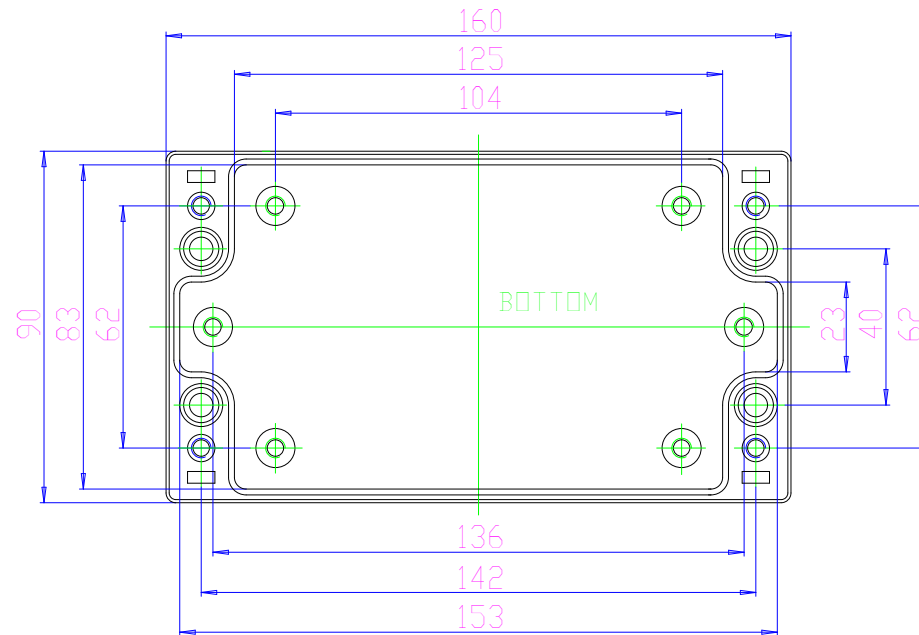
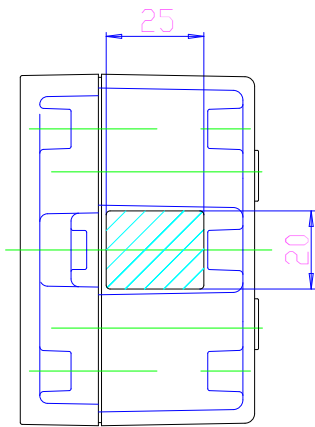
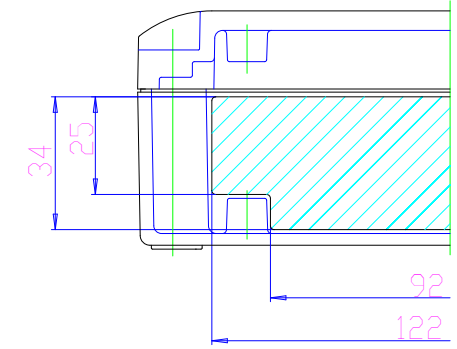
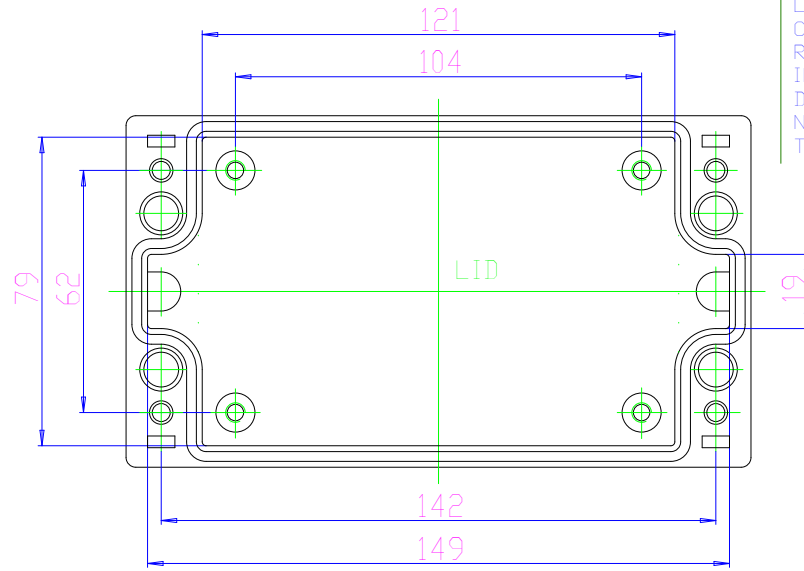


- AVAILABLE ACCESSORIES:
 -ALUMINUM TRIM COVERS
 -HINGES
 -INSERT LOCKS
 -CHROMATIZING
 -CORROSION PROOF COATING
 -SHIELDING
 -INGRESS PROTECTION IP67

NOTES

MATERIAL-ALUMINUM DIE-CAST: GD SI 12 / DIN 1725
 LID SCREWS-CAPTIVE STAINLESS STEEL
 CLIP ON TRIM-PLASTIC POM (POLY-OXYMETHYLENE) GREY RAL 7040
 RECESS IN THE TOP CAN ACCOMMODATE MEMBRANE KEYPADS
 INTEGRATED COVER BRACKETS PROVIDE STRAIN RELIEF FOR WIRING BETWEEN ENCLOSURE AND LID
 DEGREE OF PROTECTION NEMA 4X, IP66
 NEOPRENE OIL AND PETROL RESISTANT-THERMOPLASTIC GASKET (-40 C TO +140 C)
 TEXTURED POLYESTER POWDER COAT, GREY RAL 7040



For the best fit print on legal size paper.

THIS DRAWING IS PROPRIETARY INFORMATION OF HAMMOND MFG.CO.LTD. NOT TO BE USED WITHOUT EXPRESSED WRITTEN PERMISSION OF HAMMOND MFG.CO.LTD.

△	N/A	RELEASE	---	03 01 03	MJM
Rev	ECN	Description		Date	B

Dwn	M. MERCER
Date	03 01 03
Chk	---
Mat'l	DIE-CAST ALUMINUM
Sheet	1 of 1

HAMMOND MANUFACTURING CO. LTD. Electronics Group, Waterloo, Ont. - Cheektowaga, NY	
ROLEC aluCASE SERIES ENCLOSURES	
Part#: R191-092-000	Dwg: AC 092